

SECTIONAL TABLE

PART NO.	DESCRIPTION	QTY.
1	ADJUSTABLE LEG EXTENSIONS	6
2	POST	6
3	TOP BRACE	1
4	END CAP (TABLE WIDTH) MITERED BOTH ENDS	2
5	NOT APPLICABLE	
6	DIAGONAL CORNER BRACE	8
7	STRAIGHT BRACE	4
8	CORNER BRACE L-LEFT R-RIGHT	4
9	5/16 X 3/4 HEX HEAD BOLT, NUT, LOCKWASHER	20
10	1/2 X 7/8 HEXHEAD BOLT, NUT, RET., WASHER	6
11	BOTTOM BRACE	3
12	STEEL SPLINE (SEE NOTE 1 & 2)	
13	#12 X 3/4 TYPE A SHEET METAL SCREW	24
14	APRON RAIL (LENGTH LEFT HAND MITERED ONE END	2
15	APRON RAIL (LENGTH RIGHT HAND MITERED ONE END	2

NOTES:

ONE SPLINE REQ. FOR 24" TO 48" WIDTH
TWO SPLINES REQ. FOR 54" TO 78" WIDTH

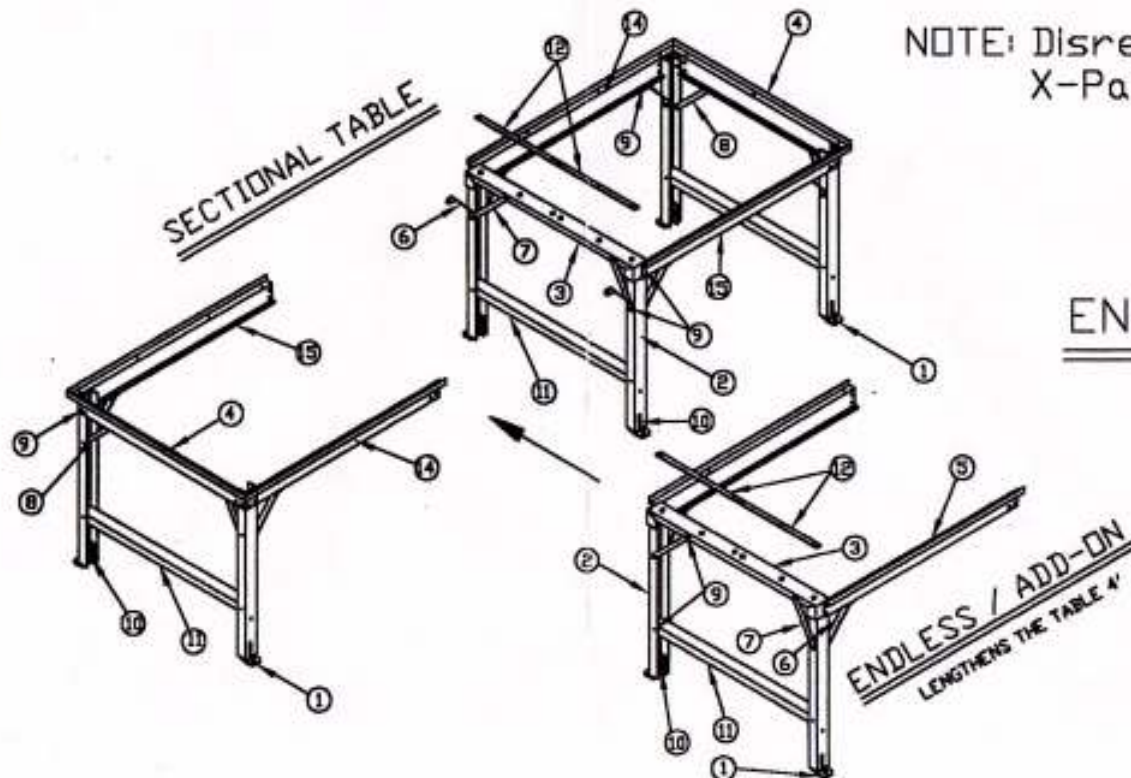
TABLE ASSEMBLY INSTRUCTIONS

1. Connect adjustable leg extension (#1) to post (#2) using 1/2 x 7/8" hex head bolt, washer, square nut and nut retainer.
2. Attach leg assemblies to bottom brace (#11) using 5/16" x 3/4" hex head bolts, nut, and lock washers.
3. Assemble top brace (#3) and apron rail (#5) to leg assembly using 5/16" x 3/4" hex head bolt, nuts, and lock washers.
4. Add diagonal (#6) and straight corner brace (#7) per drawing using 5/16" x 3/4" hex bolts, nuts, and lock washers.
5. Repeat above steps on all center sections of framework. End sections of framework are in large cartons marked sectional framework which finish off the two ends of table.
6. Place table tops with spline on sections of steel starting in center. Work left and right from center.
7. Attach spline to top brace using 5/16" x 3/4" hex head bolt. Leave bolts loose until all tops are in place and properly aligned.
8. Install #12 x 3/4" screws in tops around the perimeter though holes provided in aprons.
9. Adjust table to proper height. Make sure table is straight and then tighten all hardware.

NOTE: Disregard these instructions for X-Pand-X tables 84" & wider.

PHILLOCRAFT SECTIONAL TABLE

ENDLESS / ADD-ON TABLE



ENDLESS / ADD-ON TABLE

PART NO.	DESCRIPTION	QTY.
1	ADJUSTABLE LEG EXTENSIONS	2
2	POST	2
3	TOP BRACE	1
4	NOT APPLICABLE	
5	APRON RAIL - (TABLE LENGTH)	2
6	DIAG. CORNER BRACE	4
7	STRAIGHT CORNER BRACE	4
8	NOT APPLICABLE	
9	5/16 X 3/4 HEX HEAD BOLT, NUT, LOCKWASHER	30
10	1/2 X 7/8 HEXHEAD BOLT, NUT, RET., WASHER	2
11	BOTTOM BRACE	1
12	STEEL SPLINE (SEE NOTE 1 & 2)	
13	#12 X 3/4 TYPE A SHEET METAL SCREW	12

REVISION 7/3/00

s.d.keaton

SECTIONAL TABLE

TABLE ASSEMBLY INSTRUCTIONS

PART NO.	DESCRIPTION	QTY.
1	ADJUSTABLE LEG EXTENSIONS	6
2	POST	6
3	TOP BRACE	1
4	END CAP (TABLE WIDTH MITERED BOTH ENDS)	2
5	NOT APPLICABLE	
6	DIAGONAL CORNER BRACE	8
7	STRAIGHT CORNER BRACE	4
8	CORNER BRACE R-LEFT R-RIGHT	4
9	5/16 X 3/4 HEX HEAD BOLT, NUT, LOCKWASHER	70
10	1/2 X 7/8 HEXHEAD BOLT, NUT, RET., WASHER	6
11	BOTTOM BRACE	3
12	STEEL SPLINE (SEE NOTE 1 & 2)	
13	#12 X 3/4 TYPE A SHEET METAL SCREW	24
14	APRON RAIL (LENGTH) LEFT HAND MITERED ONE END	2
15	APRON RAIL (LENGTH) RIGHT HAND MITERED ONE END	2

NOTES:

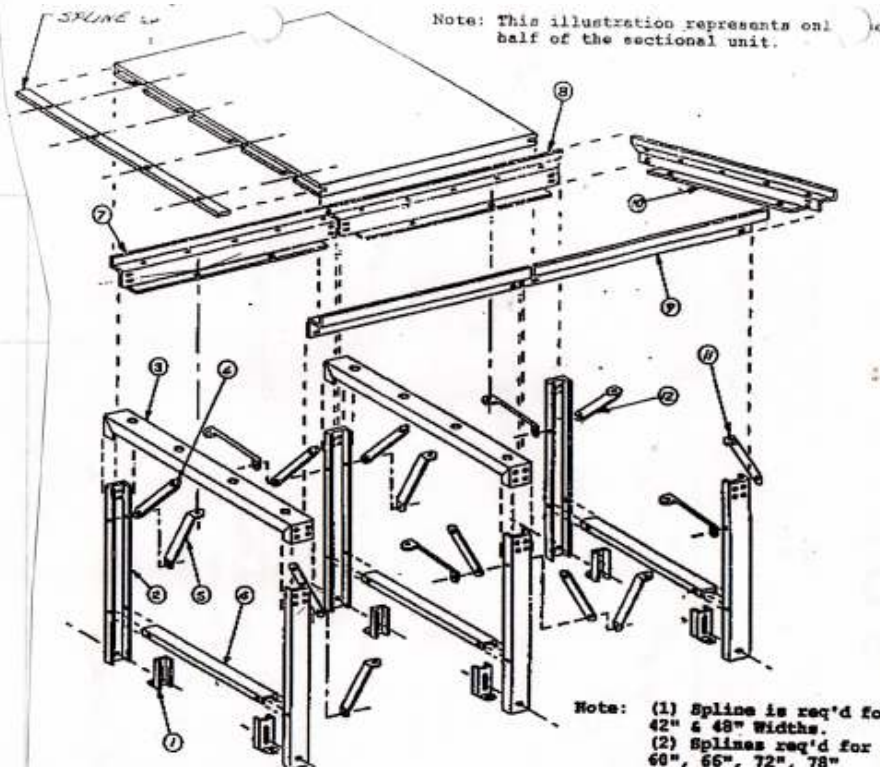
ONE SPLINE REQ. FOR 24" TO 48" WIDTH
TWO SPLINES REQ. FOR 54" TO 78" WIDTH

1. Connect adjustable leg extension (#1) to post (#2) using 1/2 x 7/8" hex head bolt, washer, square nut and nut retainer.
2. Attach leg assemblies to bottom brace (#11) using 5/16" x 3/4" hex head bolts, nut, and lock washers.
3. Assemble top brace (#3) and apron rail (#5) to leg assembly using 5/16" x 3/4" hex head bolt, nuts, and lock washers.
4. Add diagonal (#6) and straight corner brace (#7) per drawing using 5/16" x 3/4" hex bolts, nuts, and lock washers.
5. Repeat above steps on all center sections of framework. End sections of framework are in large cartons marked sectional framework which finish off the two ends of table.
6. Place table tops with spline on sections of steel starting in center. Work left and right from center.
7. Attach spline to top brace using 5/16" x 3/4" hex head bolt. Leave bolts loose until all tops are in place and properly aligned.
8. Install #12 x 3/4" screws in tops around the perimeter through holes provided in aprons.
9. Adjust table to proper height. Make sure table is straight and then tighten all hardware.

NOTE: Disregard these instructions for X-Pand-X tables 84" & wider.

PHILLOCRAFT SECTIONAL TABLE

ENDLESS / ADD-ON TABLE



ENDLESS / ADD-ON TABLE

PART NO.	DESCRIPTION	QTY.
1	ADJUSTABLE LEG EXTENSIONS	2
2	POST	2
3	TOP BRACE	1
4	NOT APPLICABLE	
5	APRON RAIL - (TABLE LENGTH)	2
6	DIAG. CORNER BRACE	4
7	STRAIGHT CORNER BRACE	4
8	NOT APPLICABLE	
9	5/16 X 3/4 HEX HEAD BOLT, NUT, LOCKWASHER	30
10	1/2 X 7/8 HEXHEAD BOLT, NUT, RET., WASHER	2
11	BOTTOM BRACE	1
12	STEEL SPLINE (SEE NOTE 1 & 2)	1
13	#12 X 3/4 TYPE A SHEET METAL SCREW	12

REVISION 7/3/00

s.d.keaton